

Design – Supply – Install – Commission – Maintain



CV**HVAC** LTD
Residential Ventilation Systems

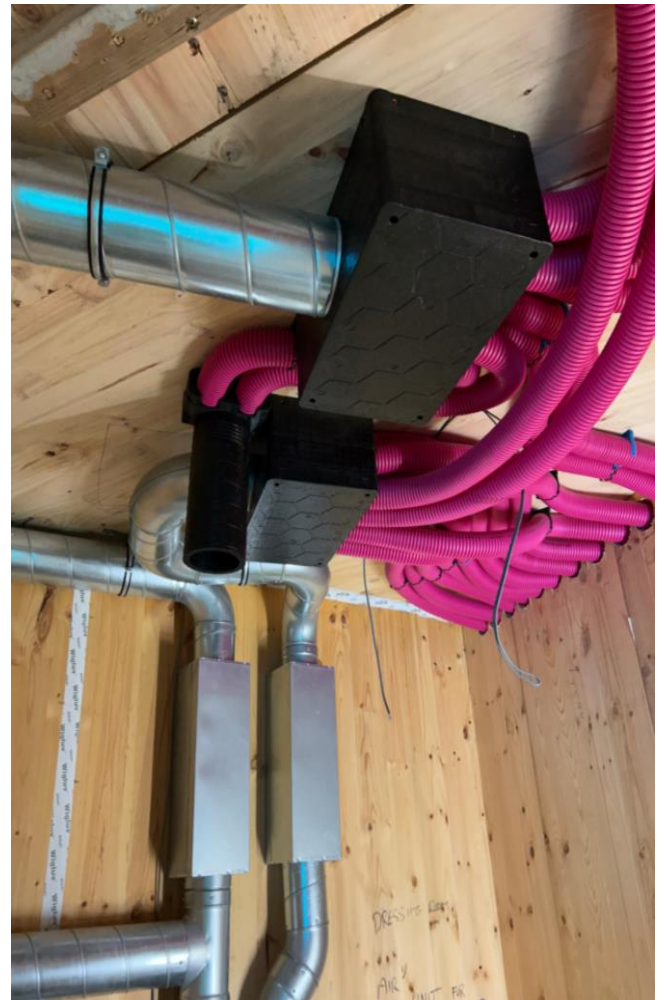


With over 40 years' experience in residential ventilation, the experts at CV HVAC can assist on your next project.

From individual self-build properties, small and large developments and high-rise accommodation blocks, we have a solution to meet any requirement in the residential sector.

By specialising in MVHR systems, we can focus our training and knowledge to ensure we become your trusted MVHR partner.

Within our team, we have BPEC, CIBSE and Passivhaus certifications and are always looking to expand our knowledge and capabilities, making us your number 1 choice for MVHR systems.



By offering a complete solution from design, supply, install, commission and maintain, we aim to make the MVHR process as simple as possible for you.

Our systems are designed in accordance with current building regulations and upon commissioning, you will receive a detailed handover and report to submit to building control.

The radial system components



75Ø System - EPP

- Pre insulated manifolds and plenums.
- Airtight connections.
- Push fit for simple installation.
- 0.038 W/mK Thermal Conductivity.
- Extremely low pressure drops.
- Plenums 1pa @ 14l/s.
- Manifolds up to 13.8pa @ 100l/s.
- Lightweight and strong.
- Corrosion resistant.
- Up to 18 spigots on manifolds.



90Ø System – Galvanised

- Low pressure drops.
- Airtight connections.
- Push fit for simple installation.
- Manifolds include distribution plate.
- Plenums angled for lower pressure.
- Insulated option available.
- Up to 18 spigots on manifolds.



Other ducting and components

Semi rigid ducting

- We only use antibacterial and anti-static Ducting.
- Available in 75Ø and 90Ø External.
- Can be routed through stud walls.
- Minimises connections and air leakage.



EPP Ducting to atmosphere

- Highly insulated EPP ducting.
- 0.039W/mK Thermal Conductivity.
- Easy push fit connections providing Class D airtightness.
- Perfect for Passivhaus installations.
- 15mm and 43mm thicknesses available.
- Lightweight and strong.



Spiral galvanised ducting and fittings

- Class D airtightness fittings.
- Strong and durable ducting.
- Z275 corrosion resistance.
- Easy to fit together.
- Low profile attenuators available.



Air Valves

- Architectural valve providing Coanda effect.
- Push fit and uniform look once commissioned.



MVHR Benefits

MVHR should be a consideration in any dwelling, whether it is new build or retrofit.

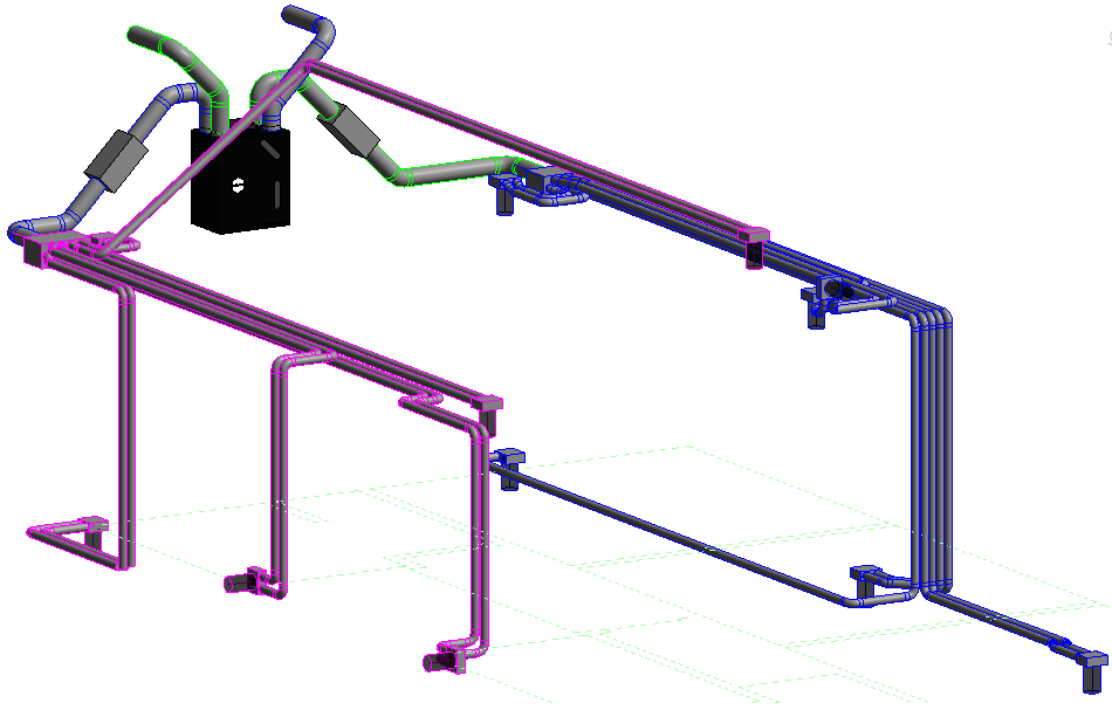
Benefits of MVHR can include:

- Fresh filtered air in the home always.
- Reduce heating bills by recovering up to 96% of heat that is usually expelled to atmosphere and wasted.
- Summer bypass to aid cooling in hotter months.
- Meet and exceed building regulation requirements for ventilation.
- No need for trickle vents, a common heat loss factor.
- Improved focus and wellbeing.
- Ultra quiet operation and low maintenance.

Why is good design so important?

- Ensure effective and adequate ventilation for any system.
- Allow provision of necessary routing for example, determine holes in steels, riser locations and valve positions.
- Maximise MVHR efficiency and keep running costs low.





Please get in touch with us to discuss your project.

info@cvhvac.co.uk

Units 3&4 Newquay Road Business Park
St Columb, Cornwall, TR9 6RT

